



# TPG IMS FNP



## Contents

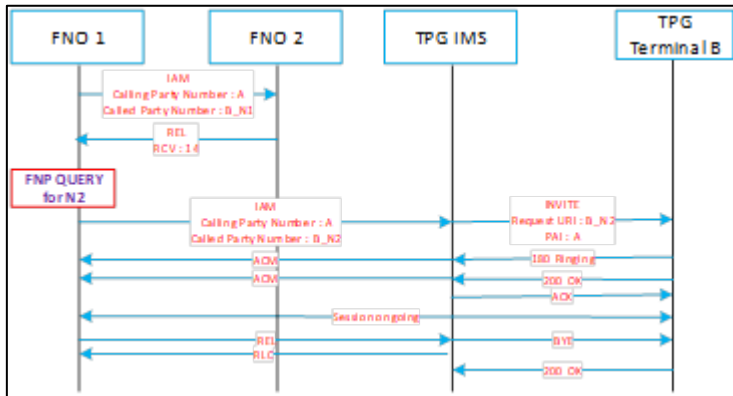
1	FNP Call Flow .....	3
1.1	National Incoming call to TPG Fixed ported in subscriber .....	3
1.2	TPG Fixed ported in subscriber initiate outgoing call to other FNO .....	4
1.3	TPG subscribers calls TPG Fixed ported out subscriber .....	5
1.4	National Partner subscribers calls TPG Fixed ported out subscriber .....	6

# 1 FNP Call Flow

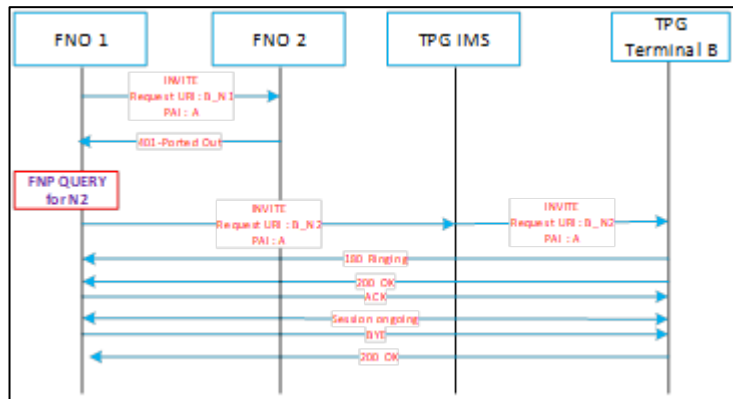
## 1.1 National Incoming call to TPG Fixed ported in subscriber

### 1.1.1 Call Flow and Network Diagram

#### 1. Call Flow and Network Diagram for interconnect via ISUP



#### 2. Call Flow and Network Diagram for interconnect via SIP



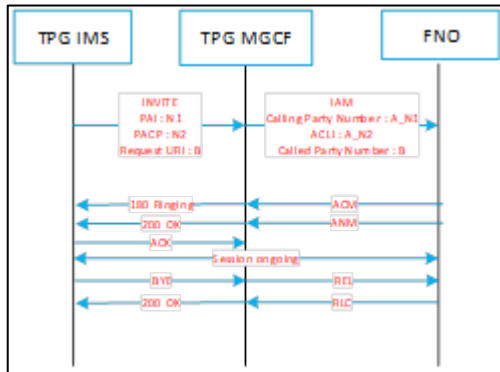
### 1.1.2 Key Parameters

Message	ISUP	SIP
Parameter	IAM Calling Party = Caller Number IAM Called Party = N2	SIP Calling Party = Caller Number INVITE Request URI = N2 P-Asserted-Identity (PAI) = Caller Number

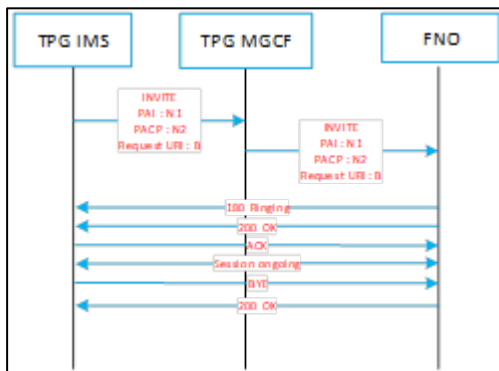
## 1.2 TPG Fixed ported in subscriber initiate outgoing call to other FNO

### 1.2.1 Call Flow and Network Diagram

#### 1. Call Flow and Network Diagram for interconnect via ISUP



#### 2. Call Flow and Network Diagram for interconnect via SIP



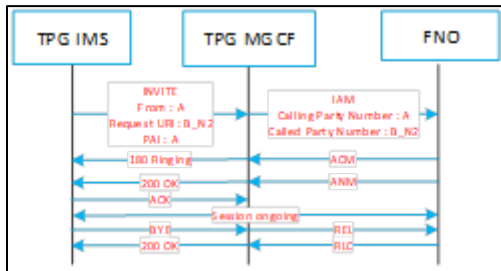
### 1.2.2 Key Parameters

Message	ISUP	SIP
Parameter	IAM Calling Party = N1 IAM Called Party = Called Number IAM ACLI = N2	SIP Calling Party = Caller Number INVITE Request URI = Called Number SIP P-Additional-Calling-Party = N2 SIP P-Asserted-Identity (PAI) = N1

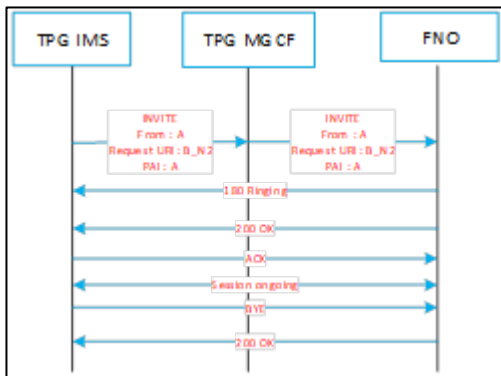
### 1.3 TPG subscribers calls TPG Fixed ported out subscriber

#### 1.3.1 Call Flow and Network Diagram

##### 1. Call Flow and Network Diagram for interconnect via ISUP



##### 2. Call Flow and Network Diagram for interconnect via SIP



#### 1.3.2 Key Parameters

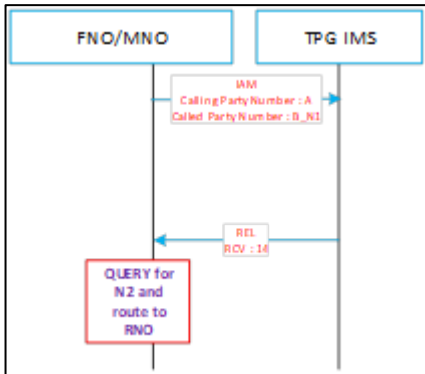
Message	ISUP	SIP
Parameter	IAM Calling Party = Caller Number IAM Called Party = N2	SIP Calling Party = Caller Number INVITE Request URI = N2 P-Asserted-Identity (PAI) = Caller Number

1.4 National Partner subscribers calls TPG Fixed ported out subscriber

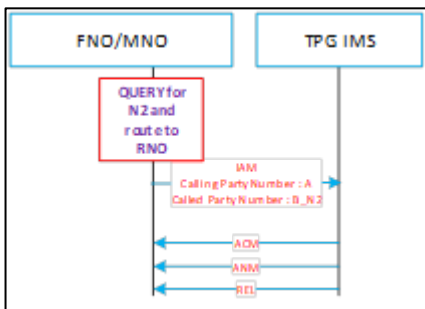
1.4.1 Call Flow and Network Diagram

1. Call Flow and Network Diagram for interconnect via ISUP

a. Partner supporting QoR for FNP Call Flow



b. Partner supporting ACQ for FNP Call Flow

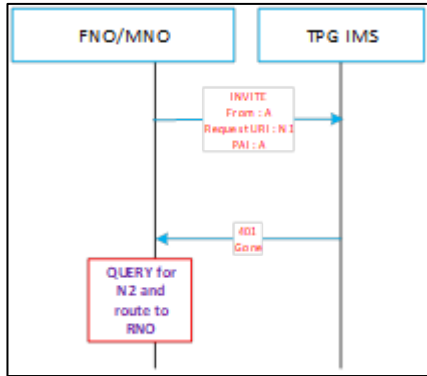


c. Key Parameters

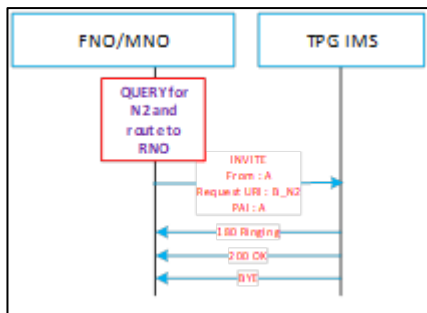
Message	ISUP parameter QoR	ISUP parameter ACQ
Parameter	IAM Calling Party = Caller Number IAM Called Party = N1 REL CV14	IAM Calling Party = Caller Number IAM Called Party = N2

2. Call Flow and Network Diagram for interconnect via SIP

a. Partner supporting QoR for FNP Call Flow



b. Partner supporting ACQ for FNP Call Flow



c. Key Parameters

Message	SIP parameter QoR	SIP parameter ACQ
Parameter	SIP Calling Party = Caller Number INVITE Request URI = N1 P-Asserted-Identity (PAI) = Caller Number 401 (GONE)	SIP Calling Party = Caller Number INVITE Request URI = N2 P-Asserted-Identity (PAI) = Caller Number